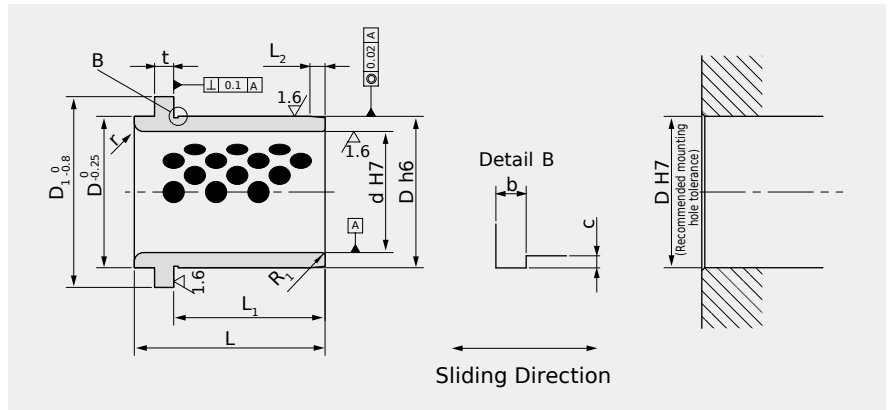


## DIN 9834 Guide Bushing



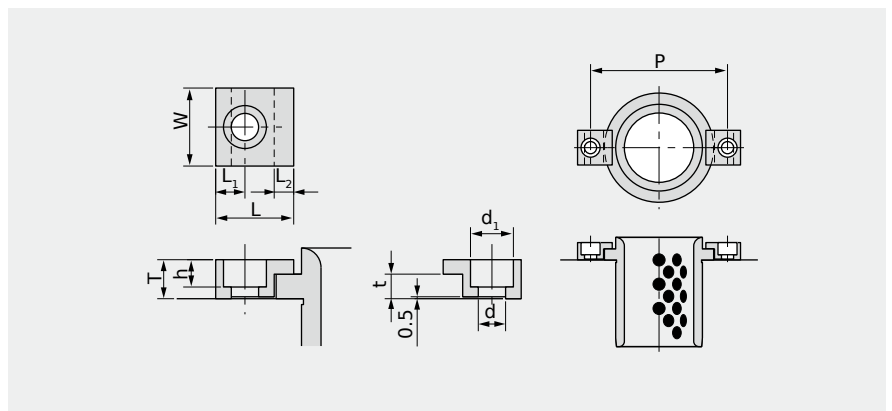
Material: Bronze with Graphite



Unit:mm

Catalog No.(Type)	d	H7	D	h6	L	D <sub>1</sub>	L <sub>1</sub>	L <sub>2</sub>	t	r	b × c
9834-025	25	$+0.021_0$	32		40	40	30	3	6.3	3	0.6 × 0.3
9834-032	32		40	$-0.016_0$	50	50	40	4			
9834-040	40	$+0.025_0$	50		63	63	50	5			
9834-050	50		63		71	71	56	6.3	10	5	1.0 × 0.4
9834-063	63		80	$-0.019_0$	80	90	63	8			
9834-080	80	$+0.030_0$	100	$-0.022_0$	100	112	80	10			
9834-100	100		125		125	140	106	12.5	10	10	1.0 × 0.4
9834-125	125	$+0.040_0$	160	$-0.025_0$	160	180	132	16			
9834-160	160		200	$-0.029_0$	200	220	170	16			

## Clamp VDI-KL (DIN9834)



Standard No.	W	L	T	L <sub>1</sub>	L <sub>2</sub>	t	d	d <sub>1</sub>	h	Applicable bushes ID
VDI-KL-6	20	20	10	7.5	5	6.3	7	11	7	25 ~ 50
VDI-KL-10	32	32	16	11	10	10	11.5	17.5	11.5	63 ~ 160