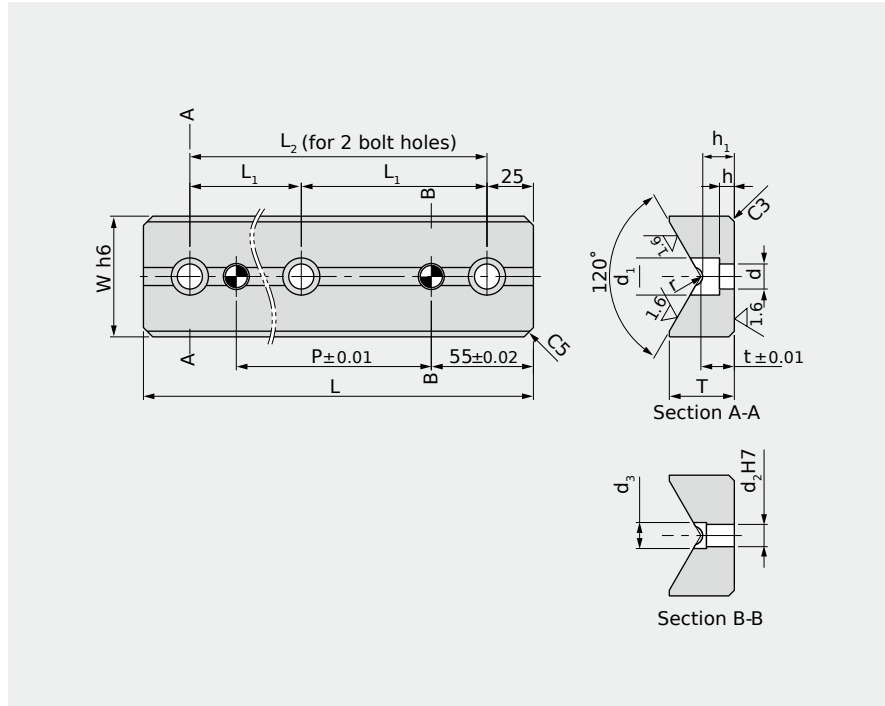


APGS Prismatic Guides Steel Plate



Material: Steel hardened
Hardened to 55±5 HRC



Unit:mm

Catalog No.	W	L	L ₁	L ₂	P	T	t	r	h	h ₁	d	d ₁	d ₂	d ₃
APGS-701	65	150	-	100	45	35	18	7	8	17	13.5	20	12	14
APGS-702		200	-	150	95									
APGS-703		250	100	-	145									
APGS-704		300	125	-	195									
APGS-711	125	150	-	100	45	60	28	10	15	32	17.5	26	16	18
APGS-712		200	-	150	95									
APGS-713		250	100	-	145									
APGS-714		300	125	-	195									

W	Mounting bolt	Dowel Pin
65	M12 × 25	φ 12 × 32
125	M16 × 50	φ 16 × 60