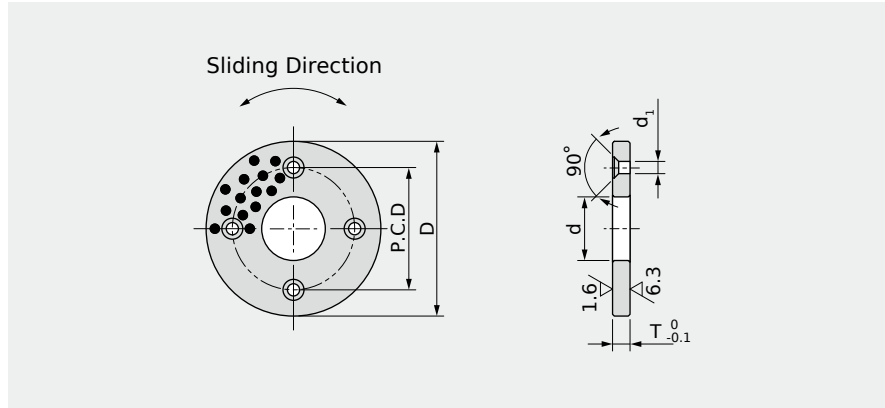
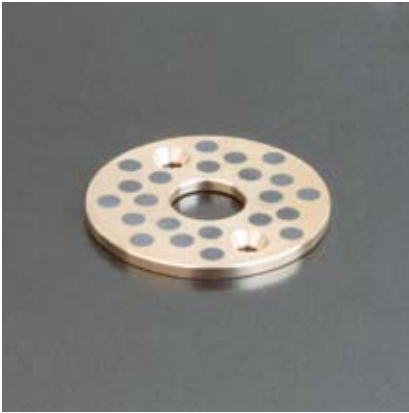


## AOBW Solid Lubricant Washer



Unit:mm

Material: Bronze with Graphite

d(Actual size)	D	T	Bolt mounting hole			Catalog No.	d(nominal)				
			P.C.D	Quantity	Flat head screw						
10.2	30	3	20	2	M3	3.5	10				
12.2	40		28				AOBW	12			
13.2								13			
14.2								14			
15.2								15			
16.2	50		35					AOBW	16		
18.2		18									
20.2	55	40	AOBW	20							
25.2				5	45	M5	25				
30.2							60		50	30	
35.2										35	
40.2	80	60		AOBW	40						
45.3					7		67.5	M6	45		
50.3	100	75	AOBW						50		
55.3					8	85	M8		55		
60.3									120	90	60
65.3											65
70.3	130	100		AOBW	70						
75.3					10	110		M8	75		
80.3			150						120	80	
90.5							90				
100.5	170	140	AOBW		100						
120.5					190	160	M10		120		
		175		11					100		
					11	120					

Unit:mm

d (Actual size)	D	T	Catalog No.	d(nominal)
10.2	30	3	AOBWN	10
12.2	40			12
16.2	50			16
20.2		20		
25.2	55	5		25