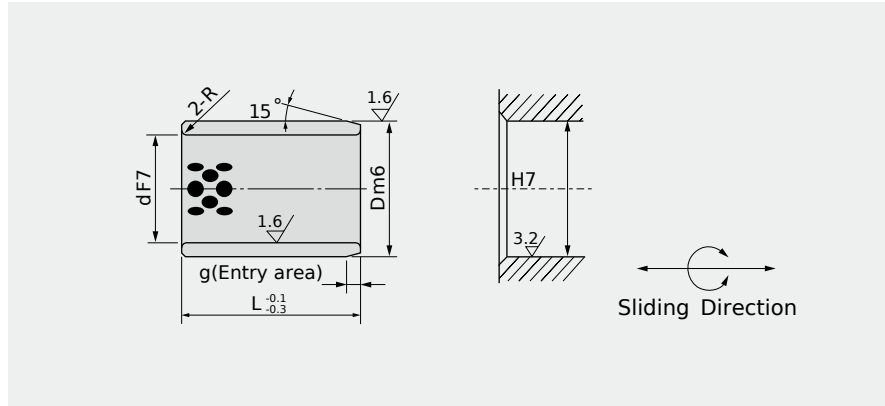


## AOB Straight Solid Lubricant Bushing

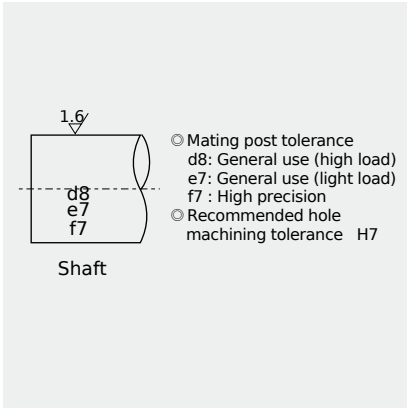


Material: Bronze with Graphite

Unit:mm

| d  | F7               | D  | m6 | R      | g | Applicable Washer          | Catalog No. | d                          | D  | L       |                      |
|----|------------------|----|----|--------|---|----------------------------|-------------|----------------------------|----|---------|----------------------|
| 8  | +0.028<br>+0.013 | 12 |    | 0.5    | 1 | -                          | AOB         | 8                          | 12 | 8<br>15 |                      |
| 10 |                  | 14 |    | 1      |   | AOBW10                     |             | 8<br>15<br>20              |    |         |                      |
| 12 |                  | 18 |    | 0.5    |   | AOBW12                     |             | 8<br>10<br>15<br>20<br>30  |    |         |                      |
|    |                  |    |    | 1      |   | AOBW13                     |             |                            |    |         |                      |
| 13 | +0.034<br>+0.016 | 19 |    | 0.5    |   | AOBW14                     |             | 10<br>15<br>20             |    |         |                      |
| 14 | 20               | 1  |    | AOBW15 |   | 10<br>15<br>20<br>25<br>30 |             |                            |    |         |                      |
| 15 | +0.034<br>+0.016 | 21 |    | 0.5    | 2 | AOBW16                     |             | 10<br>15<br>20<br>30       |    |         |                      |
|    |                  |    |    | 1      |   | AOBW17                     |             | 10<br>15<br>20<br>30<br>40 |    |         |                      |
| 16 |                  | 22 |    |        |   | AOBW18                     |             | 12<br>15<br>20<br>35<br>40 |    |         |                      |
| 17 |                  | 23 |    |        |   |                            |             |                            |    |         |                      |
| 18 |                  | 24 |    |        |   |                            |             |                            | 18 | 24      | 15<br>20<br>35<br>40 |

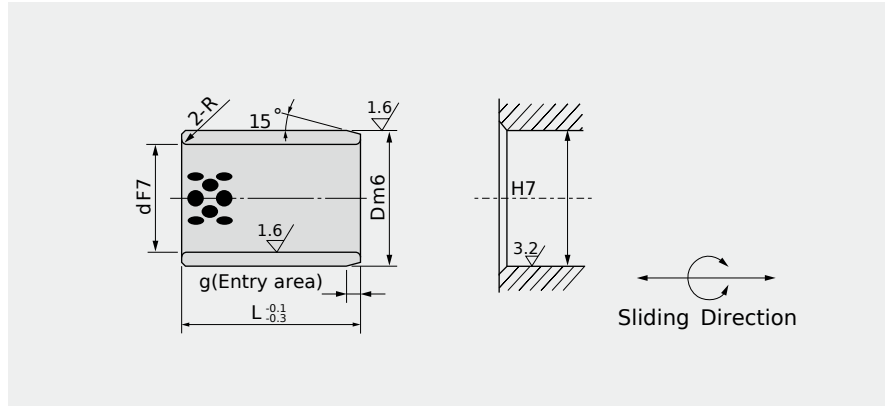
## AOB Straight Solid Lubricant Bushing



Unit:mm

| d  | F7               | D  | m6               | R | g | Applicable Washer | Catalog No. | d  | D  | L  |  |  |  |  |  |    |
|----|------------------|----|------------------|---|---|-------------------|-------------|----|----|----|--|--|--|--|--|----|
| 19 |                  | 26 |                  |   |   |                   |             | 19 | 26 | 15 |  |  |  |  |  |    |
|    |                  |    |                  |   |   |                   |             |    |    | 20 |  |  |  |  |  |    |
| 20 |                  | 28 | +0.021<br>+0.008 | 2 | 2 | AOBW20            | AOB         | 20 | 28 | 10 |  |  |  |  |  |    |
|    |                  |    |                  |   |   |                   |             |    |    | 16 |  |  |  |  |  |    |
|    |                  |    |                  |   |   |                   |             |    |    | 20 |  |  |  |  |  |    |
|    |                  | 30 |                  |   |   |                   |             |    |    |    |  |  |  |  |  |    |
|    |                  | 40 |                  |   |   |                   |             |    |    |    |  |  |  |  |  |    |
|    |                  | 50 |                  |   |   |                   |             |    |    |    |  |  |  |  |  |    |
|    |                  | 30 |                  |   |   |                   |             | 30 | 16 |    |  |  |  |  |  |    |
|    |                  |    |                  |   |   |                   |             |    | 25 |    |  |  |  |  |  |    |
|    |                  |    |                  |   |   |                   |             |    |    | 35 |  |  |  |  |  |    |
|    |                  |    |                  |   |   |                   |             |    |    | 70 |  |  |  |  |  |    |
| 22 |                  | 32 |                  | 1 |   |                   |             | 22 | 32 | 12 |  |  |  |  |  |    |
|    |                  |    |                  |   |   |                   |             |    |    | 15 |  |  |  |  |  |    |
|    |                  |    |                  |   |   |                   |             |    |    | 20 |  |  |  |  |  |    |
|    |                  |    |                  |   |   |                   |             |    |    | 25 |  |  |  |  |  |    |
| 25 | +0.041<br>+0.020 | 33 |                  | 2 | 2 | AOBW25            | AOB         | 25 | 33 | 12 |  |  |  |  |  |    |
|    |                  |    |                  |   |   |                   |             |    |    | 16 |  |  |  |  |  |    |
|    |                  |    |                  |   |   |                   |             |    |    | 25 |  |  |  |  |  |    |
|    |                  | 30 |                  |   |   |                   |             |    |    |    |  |  |  |  |  |    |
|    |                  | 40 |                  |   |   |                   |             |    |    |    |  |  |  |  |  |    |
|    |                  | 60 |                  |   |   |                   |             |    |    |    |  |  |  |  |  |    |
|    |                  | 35 |                  | 1 |   | AOBW25            |             | 25 | 35 | 12 |  |  |  |  |  |    |
|    |                  |    |                  |   |   |                   |             |    |    | 16 |  |  |  |  |  |    |
|    |                  |    |                  |   |   |                   |             |    |    | 25 |  |  |  |  |  |    |
|    |                  |    |                  |   |   |                   |             |    |    | 35 |  |  |  |  |  |    |
|    |                  |    |                  |   |   |                   |             |    |    | 50 |  |  |  |  |  |    |
|    |                  |    |                  |   |   |                   |             |    |    | 20 |  |  |  |  |  |    |
| 28 |                  | 38 | +0.025<br>+0.009 | 1 |   |                   |             | 28 | 38 | 30 |  |  |  |  |  |    |
|    |                  |    |                  |   |   |                   |             |    |    | 40 |  |  |  |  |  |    |
| 30 |                  | 38 |                  | 1 | 2 | AOBW30            | AOB         | 30 | 38 | 12 |  |  |  |  |  |    |
|    |                  |    |                  |   |   |                   |             |    |    | 20 |  |  |  |  |  |    |
|    |                  |    |                  |   |   |                   |             |    |    | 30 |  |  |  |  |  |    |
|    |                  | 40 |                  |   |   |                   |             |    |    |    |  |  |  |  |  |    |
|    |                  | 60 |                  |   |   |                   |             |    |    |    |  |  |  |  |  |    |
|    |                  |    |                  |   |   |                   |             |    |    |    |  |  |  |  |  | 12 |
|    |                  |    |                  |   |   |                   |             |    |    | 20 |  |  |  |  |  |    |
|    |                  |    |                  |   |   |                   |             |    |    | 30 |  |  |  |  |  |    |
|    |                  |    |                  |   |   |                   |             |    |    | 40 |  |  |  |  |  |    |
|    |                  |    |                  |   |   |                   |             |    |    | 60 |  |  |  |  |  |    |
| 32 |                  | 42 |                  | 1 |   |                   |             | 32 | 42 | 15 |  |  |  |  |  |    |
|    |                  |    |                  |   |   |                   |             |    |    | 20 |  |  |  |  |  |    |
|    |                  |    |                  |   |   |                   |             |    |    | 40 |  |  |  |  |  |    |
| 35 | +0.050<br>+0.025 | 44 |                  | 1 | 2 | AOBW35            | AOB         | 35 | 44 | 20 |  |  |  |  |  |    |
|    |                  |    |                  |   |   |                   |             |    |    | 30 |  |  |  |  |  |    |
|    |                  |    |                  |   |   |                   |             |    |    | 40 |  |  |  |  |  |    |
|    |                  | 60 |                  |   |   |                   |             |    |    |    |  |  |  |  |  |    |
|    |                  |    |                  |   |   |                   |             |    |    |    |  |  |  |  |  | 20 |
|    |                  |    |                  |   |   |                   |             |    |    |    |  |  |  |  |  | 30 |
|    |                  |    |                  |   |   |                   |             |    |    | 40 |  |  |  |  |  |    |
|    |                  |    |                  |   |   |                   |             |    |    | 60 |  |  |  |  |  |    |

## AOB Straight Solid Lubricant Bushing



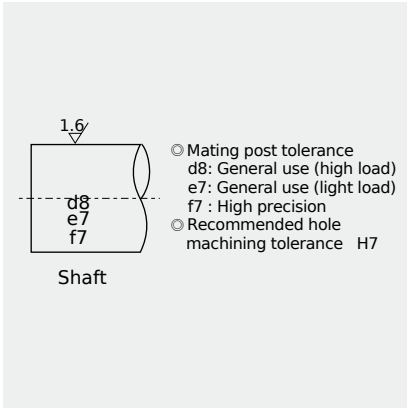
Material: Bronze with Graphite

Unit:mm

| d F7 | D m6 | R | g | Applicable Washer | Catalog No. | d  | D  | L   |
|------|------|---|---|-------------------|-------------|----|----|-----|
| 38   | 48   | 1 | 2 | -                 | -           | 38 | 48 | 30  |
|      |      |   |   |                   |             |    |    | 40  |
| 40   | 50   | 1 | 2 | AOBW40            | AOB         | 40 | 50 | 15  |
|      |      |   |   |                   |             |    |    | 35  |
|      |      |   |   |                   |             |    |    | 50  |
| 45   | 55   | 1 | 2 | AOBW45            | AOB         | 45 | 55 | 80  |
|      |      |   |   |                   |             |    |    | 15  |
|      |      |   |   |                   |             |    |    | 30  |
| 45   | 56   | 1 | 2 | AOBW45            | AOB         | 45 | 56 | 60  |
|      |      |   |   |                   |             |    |    | 30  |
|      |      |   |   |                   |             |    |    | 60  |
| 50   | 60   | 1 | 2 | AOBW50            | AOB         | 50 | 60 | 20  |
|      |      |   |   |                   |             |    |    | 30  |
|      |      |   |   |                   |             |    |    | 35  |
| 50   | 62   | 2 | 2 | AOBW50            | AOB         | 50 | 62 | 50  |
|      |      |   |   |                   |             |    |    | 80  |
|      |      |   |   |                   |             |    |    | 30  |
| 50   | 65   | 3 | 3 | AOBW50            | AOB         | 50 | 65 | 70  |
|      |      |   |   |                   |             |    |    | 100 |
|      |      |   |   |                   |             |    |    | 30  |
| 55   | 70   | 2 | 2 | AOBW55            | AOB         | 55 | 70 | 30  |
|      |      |   |   |                   |             |    |    | 60  |
| 60   | 74   | 2 | 2 | AOBW60            | AOB         | 60 | 74 | 70  |
|      |      |   |   |                   |             |    |    | 80  |
|      |      |   |   |                   |             |    |    | 100 |
| 60   | 75   | 2 | 2 | AOBW60            | AOB         | 60 | 75 | 30  |
|      |      |   |   |                   |             |    |    | 60  |
|      |      |   |   |                   |             |    |    | 80  |
|      |      |   |   |                   |             |    |    | 100 |

## AOB Straight Solid Lubricant Bushing

Unit:mm



| d   | F7               | D   | m6               | R | g | Applicable Washer | Catalog No. | d   | D   | L   |   |     |
|-----|------------------|-----|------------------|---|---|-------------------|-------------|-----|-----|-----|---|-----|
| 63  |                  | 75  |                  | 3 | 3 | -                 |             | 63  | 75  | 60  |   |     |
|     |                  |     |                  | 2 | 2 |                   |             |     |     | 80  |   |     |
| 65  |                  | 80  | +0.030<br>+0.011 | 3 | 3 | AOBW65            |             | 65  | 80  | 40  |   |     |
|     |                  |     |                  | 3 | 3 |                   |             |     |     | 60  |   |     |
| 70  |                  | 85  |                  | 2 | 2 | AOBW70            |             | 70  | 85  | 30  |   |     |
|     |                  |     |                  |   |   |                   |             |     |     | 40  |   |     |
|     |                  |     |                  |   |   |                   |             |     |     | 80  |   |     |
|     |                  |     |                  |   |   |                   |             |     |     | 100 |   |     |
| 75  | +0.060<br>+0.030 | 90  |                  | 3 | 3 | AOBW75            |             | 75  | 90  | 50  |   |     |
|     |                  |     |                  |   |   |                   |             |     |     | 70  |   |     |
|     |                  |     |                  |   |   |                   |             |     |     | 100 |   |     |
|     |                  |     |                  |   |   |                   |             |     |     | 80  |   |     |
| 80  |                  | 95  |                  | 1 | 2 | AOBW80            |             | 80  | 96  | 20  |   |     |
|     |                  |     |                  |   |   |                   |             |     |     | 3   | 3 | 50  |
|     |                  |     |                  |   |   |                   |             |     |     | 2   | 2 | 100 |
|     |                  |     |                  |   |   |                   |             |     |     | 3   | 3 | 120 |
| 85  |                  | 100 |                  | 2 | 2 | -                 | AOB         | 85  | 100 | 40  |   |     |
|     |                  |     |                  |   |   |                   |             |     |     | 3   | 3 | 60  |
|     |                  |     |                  |   |   |                   |             |     |     | 2   | 2 | 120 |
|     |                  |     |                  |   |   |                   |             |     |     | 3   | 3 | 140 |
| 90  | +0.071<br>+0.036 | 110 |                  | 3 | 3 | AOBW90            |             | 90  | 110 | 25  |   |     |
|     |                  |     |                  |   |   |                   |             |     |     | 3   | 3 | 80  |
|     |                  |     |                  |   |   |                   |             |     |     | 2   | 2 | 30  |
|     |                  |     |                  |   |   |                   |             |     |     | 3   | 3 | 60  |
| 100 |                  | 120 | +0.035<br>+0.013 | 2 | 2 | AOBW100           |             | 100 | 120 | 100 |   |     |
|     |                  |     |                  |   |   |                   |             |     |     | 3   | 3 | 120 |
|     |                  |     |                  |   |   |                   |             |     |     | 2   | 2 | 140 |
|     |                  |     |                  |   |   |                   |             |     |     | 3   | 3 | 140 |
| 110 | +0.071<br>+0.036 | 130 |                  | 3 | 3 | -                 |             | 110 | 130 | 50  |   |     |
|     |                  |     |                  |   |   |                   |             |     |     | 3   | 3 | 80  |
| 120 |                  | 140 |                  | 3 | 3 | AOBW120           |             | 120 | 140 | 70  |   |     |
|     |                  |     |                  |   |   |                   |             |     |     | 3   | 3 | 90  |
| 125 |                  | 145 | +0.040<br>+0.015 | 3 | 3 | -                 |             | 125 | 145 | 100 |   |     |
|     |                  |     |                  |   |   |                   |             |     |     | 3   | 3 | 120 |
| 130 |                  | 150 |                  | 3 | 3 | -                 |             | 130 | 150 | 80  |   |     |
|     |                  |     |                  |   |   |                   |             |     |     | 3   | 3 | 130 |
| 140 | +0.083<br>+0.043 | 160 |                  | 3 | 3 | -                 |             | 140 | 160 | 100 |   |     |
|     |                  |     |                  |   |   |                   |             |     |     | 3   | 3 | 140 |
| 150 |                  | 170 |                  | 4 | 4 | -                 |             | 150 | 170 | 80  |   |     |
|     |                  |     |                  |   |   |                   |             |     |     | 4   | 4 | 150 |
| 160 |                  | 180 |                  | 3 | 3 | -                 |             | 160 | 180 | 80  |   |     |
|     |                  |     |                  |   |   |                   |             |     |     | 3   | 3 | 150 |