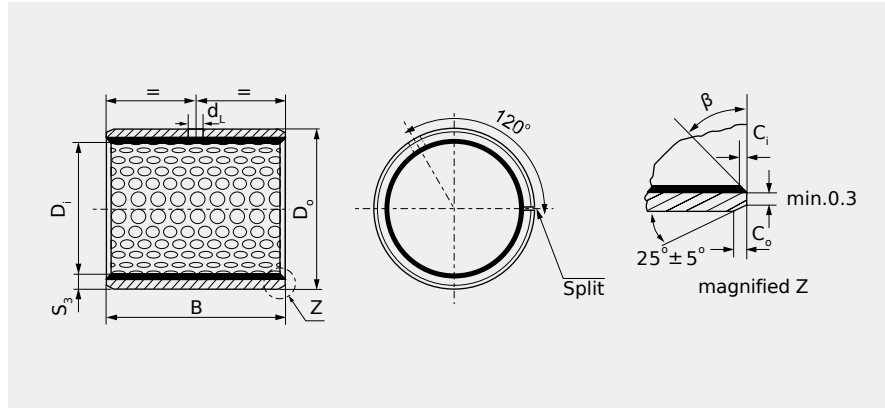


## AM-800 Metric Cylindrical Bushing



Unit:mm

Designation	D <sub>i</sub>	D <sub>o</sub>	B	Wall thickness		Oil hole d <sub>L</sub>	C <sub>o</sub>	C <sub>i</sub>	β	S <sub>3</sub>
				max	min					
AM-800 101210	10	12	10	0.995	0.935	4	0.6 ± 0.3	0.30 ± 0.2	35° ± 5°	1.00
AM-800 101215	10	12	15	0.995	0.935	4	0.6 ± 0.3	0.30 ± 0.2	35° ± 5°	1.00
AM-800 121410	12	14	10	0.995	0.935	4	0.6 ± 0.3	0.30 ± 0.2	35° ± 5°	1.00
AM-800 121415	12	14	15	0.995	0.935	4	0.6 ± 0.3	0.30 ± 0.2	35° ± 5°	1.00
AM-800 141610	14	16	10	0.995	0.935	4	0.6 ± 0.3	0.30 ± 0.2	35° ± 5°	1.00
AM-800 141615	14	16	15	0.995	0.935	4	0.6 ± 0.3	0.30 ± 0.2	35° ± 5°	1.00
AM-800 151710	15	17	10	0.995	0.935	4	0.6 ± 0.3	0.30 ± 0.2	35° ± 5°	1.00
AM-800 151715	15	17	15	0.995	0.935	4	0.6 ± 0.3	0.30 ± 0.2	35° ± 5°	1.00
AM-800 161810	16	18	10	0.995	0.935	4	0.6 ± 0.3	0.30 ± 0.2	35° ± 5°	1.00
AM-800 161815	16	18	15	0.995	0.935	4	0.6 ± 0.3	0.30 ± 0.2	35° ± 5°	1.00
AM-800 182010	18	20	10	0.995	0.935	4	0.6 ± 0.3	0.30 ± 0.2	35° ± 5°	1.00
AM-800 182020	18	20	20	0.995	0.935	4	0.6 ± 0.3	0.30 ± 0.2	35° ± 5°	1.00
AM-800 202310	20	23	10	1.490	1.430	4	0.7 ± 0.3	0.50 ± 0.3	35° ± 5°	1.50
AM-800 202320	20	23	20	1.490	1.430	4	0.7 ± 0.3	0.50 ± 0.3	35° ± 5°	1.50
AM-800 222510	22	25	10	1.490	1.430	6	0.7 ± 0.3	0.50 ± 0.3	35° ± 5°	1.50
AM-800 222520	22	25	20	1.490	1.430	6	0.7 ± 0.3	0.50 ± 0.3	35° ± 5°	1.50
AM-800 242710	24	27	10	1.490	1.430	6	0.7 ± 0.3	0.50 ± 0.3	35° ± 5°	1.50
AM-800 242720	24	27	20	1.490	1.430	6	0.7 ± 0.3	0.50 ± 0.3	35° ± 5°	1.50
AM-800 252820	25	28	20	1.490	1.430	6	0.7 ± 0.3	0.50 ± 0.3	35° ± 5°	1.50
AM-800 263020	26	30	20	1.980	1.920	6	1.2 ± 0.4	0.50 ± 0.3	30° ± 5°	2.00
AM-800 263030	26	30	30	1.980	1.920	6	1.2 ± 0.4	0.50 ± 0.3	30° ± 5°	2.00
AM-800 283220	28	32	20	1.980	1.920	6	1.2 ± 0.4	0.50 ± 0.3	30° ± 5°	2.00
AM-800 283230	28	32	30	1.980	1.920	6	1.2 ± 0.4	0.50 ± 0.3	30° ± 5°	2.00
AM-800 303420	30	34	20	1.980	1.920	6	1.2 ± 0.4	0.50 ± 0.3	30° ± 5°	2.00
AM-800 303430	30	34	30	1.980	1.920	6	1.2 ± 0.4	0.50 ± 0.3	30° ± 5°	2.00
AM-800 323620	32	36	20	1.980	1.920	6	1.2 ± 0.4	0.50 ± 0.3	30° ± 5°	2.00
AM-800 323630	32	36	30	1.980	1.920	6	1.2 ± 0.4	0.50 ± 0.3	30° ± 5°	2.00
AM-800 353930	35	39	30	1.980	1.920	6	1.2 ± 0.4	0.50 ± 0.3	30° ± 5°	2.00
AM-800 353940	35	39	40	1.980	1.920	6	1.2 ± 0.4	0.50 ± 0.3	30° ± 5°	2.00

## AM-800 Metric Cylindrical Bushing

Unit:mm

Designation	D <sub>i</sub>	D <sub>o</sub>	B	Wall thickness		Oil hole d <sub>L</sub>	C <sub>o</sub>	C <sub>i</sub>	β	S <sub>3</sub>
				max	min					
AM-800 404420	40	44	20	1.980	1.920	8	1.2 ± 0.4	0.50 ± 0.3	30° ± 5°	2.00
AM-800 404430	40	44	30	1.980	1.920	8	1.2 ± 0.4	0.50 ± 0.3	30° ± 5°	2.00
AM-800 455025	45	50	25	2.460	2.400	8	1.8 ± 0.6	0.60 ± 0.3	45° ± 5°	2.50
AM-800 455030	45	50	30	2.460	2.400	8	1.8 ± 0.6	0.60 ± 0.3	45° ± 5°	2.50
AM-800 455040	45	50	40	2.460	2.400	8	1.8 ± 0.6	0.60 ± 0.3	45° ± 5°	2.50
AM-800 505530	50	55	30	2.460	2.400	8	1.8 ± 0.6	0.60 ± 0.3	45° ± 5°	2.50
AM-800 505540	50	55	40	2.460	2.400	8	1.8 ± 0.6	0.60 ± 0.3	45° ± 5°	2.50
AM-800 556030	55	60	30	2.460	2.400	8	1.8 ± 0.6	0.60 ± 0.3	45° ± 5°	2.50
AM-800 556040	55	60	40	2.460	2.400	8	1.8 ± 0.6	0.60 ± 0.3	45° ± 5°	2.50
AM-800 606530	60	65	30	2.460	2.400	8	1.8 ± 0.6	0.60 ± 0.3	45° ± 5°	2.50
AM-800 606540	60	65	40	2.460	2.400	8	1.8 ± 0.6	0.60 ± 0.3	45° ± 5°	2.50
AM-800 657030	65	70	30	2.460	2.400	8	1.8 ± 0.6	0.60 ± 0.3	45° ± 5°	2.50
AM-800 657040	65	70	40	2.460	2.400	8	1.8 ± 0.6	0.60 ± 0.3	45° ± 5°	2.50
AM-800 707530	70	75	30	2.460	2.400	8	1.8 ± 0.6	0.60 ± 0.3	45° ± 5°	2.50
AM-800 707540	70	75	40	2.460	2.400	8	1.8 ± 0.6	0.60 ± 0.3	45° ± 5°	2.50
AM-800 758030	75	80	30	2.460	2.400	9.5	1.8 ± 0.6	0.60 ± 0.3	45° ± 5°	2.50
AM-800 758040	75	80	40	2.460	2.400	9.5	1.8 ± 0.6	0.60 ± 0.3	45° ± 5°	2.50
AM-800 808540	80	85	40	2.460	2.400	9.5	1.8 ± 0.6	0.60 ± 0.3	45° ± 5°	2.50
AM-800 808550	80	85	50	2.460	2.400	9.5	1.8 ± 0.6	0.60 ± 0.3	45° ± 5°	2.50
AM-800 859050	85	90	50	2.460	2.400	9.5	1.8 ± 0.6	0.60 ± 0.3	45° ± 5°	2.50
AM-800 859060	85	90	60	2.460	2.400	9.5	1.8 ± 0.6	0.60 ± 0.3	45° ± 5°	2.50
AM-800 909550	90	95	50	2.460	2.400	9.5	1.8 ± 0.6	0.60 ± 0.3	45° ± 5°	2.50
AM-800 909560	90	95	60	2.460	2.400	9.5	1.8 ± 0.6	0.60 ± 0.3	45° ± 5°	2.50
AM-800 9510060	95	100	60	2.460	2.400	9.5	1.8 ± 0.6	0.60 ± 0.3	45° ± 5°	2.50
AM-800 9510080	95	100	80	2.460	2.400	9.5	1.8 ± 0.6	0.60 ± 0.3	45° ± 5°	2.50
AM-800 10010560	100	105	60	2.460	2.400	9.5	1.8 ± 0.6	0.60 ± 0.3	45° ± 5°	2.50
AM-800 10010580	100	105	80	2.460	2.400	9.5	1.8 ± 0.6	0.60 ± 0.3	45° ± 5°	2.50
AM-800 10511060	105	110	60	2.460	2.400	9.5	1.8 ± 0.6	0.60 ± 0.3	45° ± 5°	2.50
AM-800 10511080	105	110	80	2.460	2.400	9.5	1.8 ± 0.6	0.60 ± 0.3	45° ± 5°	2.50
AM-800 11011560	110	115	60	2.460	2.400	9.5	1.8 ± 0.6	0.60 ± 0.3	45° ± 5°	2.50
AM-800 11011580	110	115	80	2.460	2.400	9.5	1.8 ± 0.6	0.60 ± 0.3	45° ± 5°	2.50
AM-800 11512080	115	120	80	2.460	2.400	9.5	1.8 ± 0.6	0.60 ± 0.3	45° ± 5°	2.50
AM-800 12012550	120	125	50	2.460	2.400	9.5	1.8 ± 0.6	0.60 ± 0.3	45° ± 5°	2.50
AM-800 12012560	120	125	60	2.460	2.400	9.5	1.8 ± 0.6	0.60 ± 0.3	45° ± 5°	2.50
AM-800 125130100	125	130	100	2.460	2.400	9.5	1.8 ± 0.6	0.60 ± 0.3	45° ± 5°	2.50
AM-800 13013560	130	135	60	2.460	2.400	9.5	1.8 ± 0.6	0.60 ± 0.3	45° ± 5°	2.50
AM-800 13514060	135	140	60	2.460	2.400	9.5	1.8 ± 0.6	0.60 ± 0.3	45° ± 5°	2.50
AM-800 13514080	135	140	80	2.460	2.400	9.5	1.8 ± 0.6	0.60 ± 0.3	45° ± 5°	2.50
AM-800 14014560	140	145	60	2.460	2.400	9.5	1.8 ± 0.6	0.60 ± 0.3	45° ± 5°	2.50
AM-800 14014580	140	145	80	2.460	2.400	9.5	1.8 ± 0.6	0.60 ± 0.3	45° ± 5°	2.50
AM-800 140145100	140	145	100	2.460	2.400	9.5	1.8 ± 0.6	0.60 ± 0.3	45° ± 5°	2.50
AM-800 15015560	150	155	60	2.460	2.400	9.5	1.8 ± 0.6	0.60 ± 0.3	45° ± 5°	2.50
AM-800 15015580	150	155	80	2.460	2.400	9.5	1.8 ± 0.6	0.60 ± 0.3	45° ± 5°	2.50