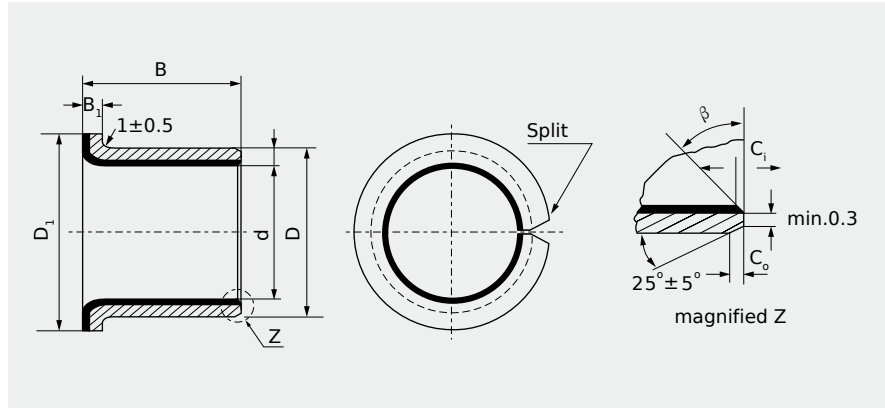


## AM-1F Metric Flange Bushing



Unit:mm

Designation	Dimensions					Basic load rates				Mass	
	d	D	D <sub>1</sub>	B	B <sub>1</sub>	rad. dyn.C	stat.C <sub>0</sub>	ax.dyn.C <sub>a</sub>	stat.C <sub>0a</sub>		
	mm	mm	mm	mm	mm	N	N	N	N		
AM-1F 050704	5	7	11.5	4	1	800	2500	2850	9000	1.1	
AM-1F 060804	6	8	12	4	1	965	3000	2750	8650	1.3	
AM-1F 060808		8	12	8	1	2900	9000	2750	8650	1.6	
AM-1F 081005.5	8	10	15	5.5	1	2240	6950	5100	16000	2.1	
AM-1F 081007.5		10	15	7.5	1	3550	11000	5100	16000	2.5	
AM-1F 081009.5		10	15	9.5	1	4800	15000	5100	16000	2.9	
AM-1F 101207		12	18	7	1	4000	12500	8000	25000	3.1	
AM-1F 101209	10	12	18	9	1	5600	17600	8000	25000	3.6	
AM-1F 101212		12	18	12	1	8000	25000	8000	25000	4.3	
AM-1F 101217		12	18	17	1	12000	37500	8000	25000	5.6	
AM-1F 101220		12	18	20	1	14400	45000	8000	25000	6.1	
AM-1F 121407	12	14	20	7	1	4800	15000	9150	28500	3.6	
AM-1F 121409		14	20	9	1	6700	20800	9150	28500	4.2	
AM-1F 121412		14	20	12	1	9650	30000	9150	28500	5.1	
AM-1F 121415		14	20	15	1	12500	39000	9150	28500	6.1	
AM-1F 121417	13	14	20	17	1	14300	45000	9150	28500	6.6	
AM-1F 131517		15	21	17	1	15600	48750	9500	29800	6.8	
AM-1F 141612		14	16	22	12	1	11000	34500	10000	31500	5.8
AM-1F 141617			16	22	17	1	16600	52000	10000	31500	7.5
AM-1F 151709	15	17	23	9	1	8300	26000	10400	32500	5.1	
AM-1F 151712		17	23	12	1	12000	37500	10400	32500	6.2	
AM-1F 151717		17	23	17	1	18000	56000	10400	32500	7.6	
AM-1F 161812		16	18	24	12	1	12200	38000	8500	26500	6.2
AM-1F 161815	18		24	15	1	16600	52000	8500	26500	7.1	
AM-1F 161817	18		24	17	1	18600	58500	8500	26500	8.1	
AM-1F 182012	18		20	26	12	1	13700	42500	9300	29000	7.3
AM-1F 182017		20	26	17	1	20800	65500	9300	29000	9.5	
AM-1F 182022		20	26	22	1	28000	88000	9300	29000	12	
AM-1F 202311.5		20	23	30	11.5	1.5	14300	45000	17300	54000	13
AM-1F 202315	23		30	15	1.5	20000	62000	17300	54000	16	
AM-1F 202316.5	23		30	16.5	1.5	22000	69500	17300	54000	17	
AM-1F 202321.5	23		30	21.5	1.5	30500	95000	17300	54000	21	
AM-1F 252811.5	25	28	35	11.5	1.5	17300	54000	20400	64000	16	
AM-1F 252816.5		28	35	16.5	1.5	28000	85000	20400	64000	21	
AM-1F 252821.5		28	35	21.5	1.5	37500	116000	20400	64000	25	
AM-1F 303416		30	34	42	16	2	30500	95000	29000	91500	35
AM-1F 303426	34		42	26	2	54000	170000	29000	91500	50	
AM-1F 353916	35	39	47	16	2	35500	110000	33500	104000	43	
AM-1F 353926		39	47	26	2	63000	196000	33500	104000	61	
AM-1F 404420	40	44	53	20	2	16600	52000	8500	26500	45	
AM-1F 404426		44	53	26	2	16600	52000	8500	26500	62	