

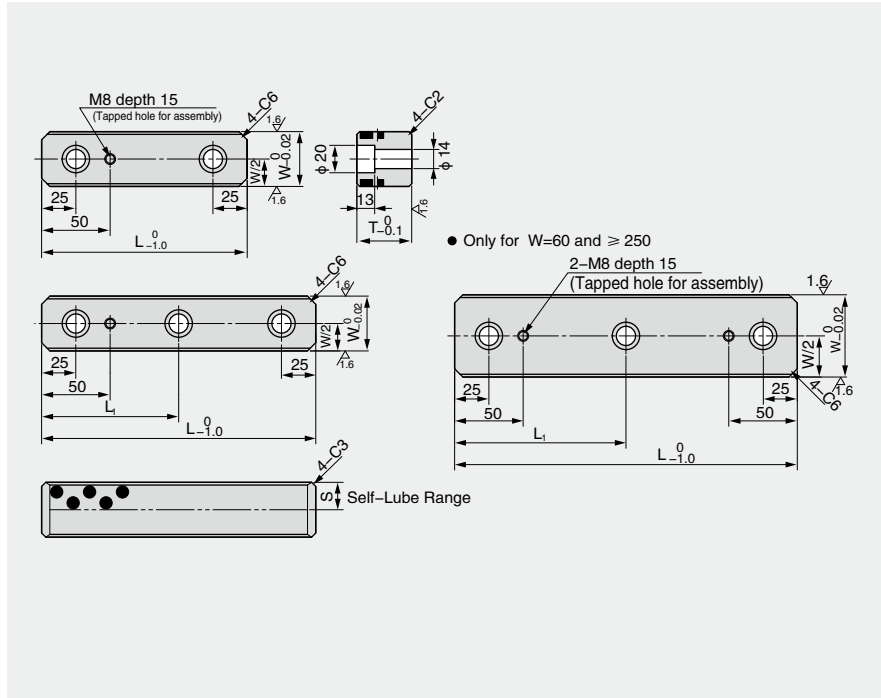


Manufacture and sale of self-lubricating bearings

ACGBW Cam Slide Guides



ACGBF: Cast iron with Graphite
 ACGBS: steel with Graphite, HRC 40 to 45
 ACGBW: Bronze with Graphite



L_1	S	Catalog No.	W	L	T
-	15	ACGBF ACGBS	30	100	30
-				150	
100				200	
125				250	
150				300	
175				350	
-	20	ACGBF ACGBS ACGBW	40	100	30
-				150	
100				200	
125				250	
150				300	
175				350	
-	25	ACGBW	60	100	40
-				150	
100				200	
125				250	
150				300	
175				350	